

Title: RH-Temp Combo Sensor (DPWC155SCO) Installation For i-Controller 2.0

Overview

The relative humidity and temperature combination sensor for indoor applications provides both humidity and temperature readings using one device.

Specifications

General	
Input Power	12 to 24 VAC
Enclosure	Plastic
Relative Humidity (RH)	
Sensing Element	Digitally profiled capacitive
RH Accuracy	±5% RH over the range 10%-90% RH
Operating Range	10-90% RH
Analog Output	0-10VDC; 3-wire (observe polarity)
Scaling	0-100% RH (0-10VDC)
Temperature	
Accuracy	±0.7°C from -10°C to 60°C
Analog Out	Resistive, 2-wire, no polarity

Table 1. Sensor Specifications

Mounting Location

Mount the sensor indoors in a central location within the zone to be measured, away from doors, windows, vents, heaters, and outside walls that could affect temperature readings. The sensor should be at least four feet from the floor, and no higher than necessary to prevent tampering.

Installation

1. Insert a screwdriver into the gap on the left side of the sensor enclosure to release front cover latch and separate front part of the enclosure away from the rear mounting plate.
2. Use the mounting holes in the back plate to mount the plate on a junction box, or against a wall or riser. (*Do not mount the plate upside down or sideways. Mount plate with terminal blocks at the bottom*).
3. If necessary, drill or cut a hole in the wall to allow sensor cable to run through the wall into the back of the mounting plate.
4. Must use either a 3 and 2-wire conductor cable or a 5-wire conductor cable. Wire as indicated below in figure 1.

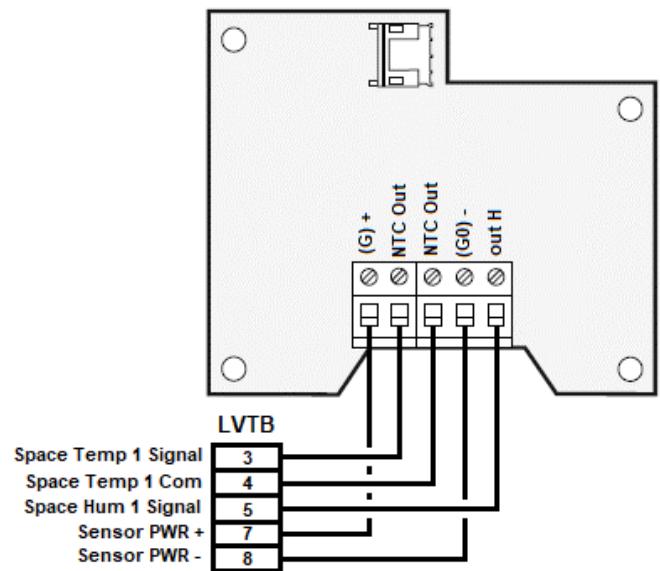


Figure 1. Sensor Terminal Connections