

**Title:** Heat Reclaim Isolation Relay i-Controller REV.112 Conversion

## Overview

For units equipped with heat reclaim, an isolation relay is required for controlling the heat reclaim valve. This relay limits the voltage and prevents damage to the control boards. If the unit is not equipped with heat reclaim, this isolation relay is not required.

A standard tool set and (2) #10 - 16 x 0.50, 5/16th hex-head sheet metal screws are required to mount and make the connections to the isolation relay.

## Flō Supplied Parts

The parts contained in the Flō supplied parts kit are provided specifically for the Flō unit on this site.

See *Table 1*.

Contact Flō Technical Support if you have questions or concerns.

Phone: 888-598-1198 Opt. 1

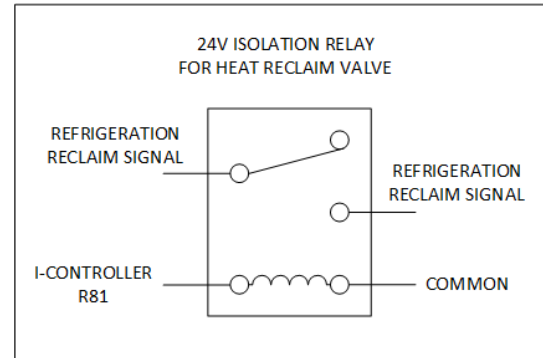
E-Mail: [techsupport@systemsflo.com](mailto:techsupport@systemsflo.com)

Part Description	Part Number	Flō Unit with i-Controller and Heat Reclaim
24V Isolation Relay	PTCSV21450	1
Relay Isolation Socket	PTCSV21460	1
Upgrade Document	IN-IC1-07	1

*Table 1. Flō Supplied Parts List*

## Reclaim Isolation Relay

The isolation relay will be installed in the low-voltage section of the electrical cabinet.



*Figure 1. Isolation Relay Wiring*